



DOSATRON®

WATER POWERED DOSING TECHNOLOGY

METAL WORKING

Dosatron Coolant Mixers

Ideal for overhead centralized coolant distribution systems.

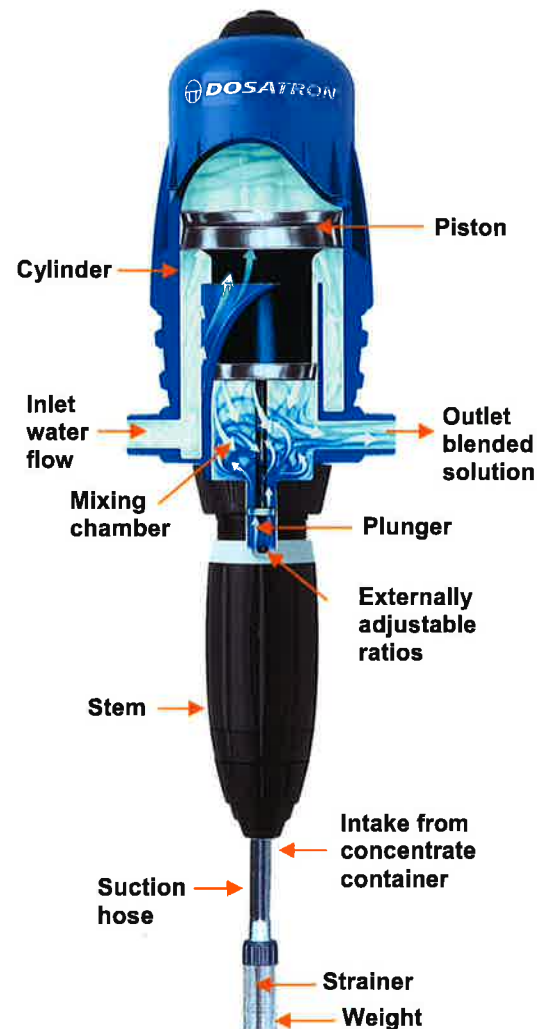
The Dosatron coolant mixer is mounted above the fluid concentrate container. Installed directly into the central coolant distribution system, the Dosatron operates by using the flow of water as the power source.

When the water is turned on, it travels into the Dosatron housing on the inlet side, which activates the piston and causes the syringe-like plunger at the bottom of the piston to travel up and down in the cylinder (see diagram).

On the upstroke of the piston, the plunger creates a vacuum, drawing the concentrated fluid into the lower stem from the suction hose. On the down stroke, the plunger displaces the concentrate into the mixing chamber, where it mixes with the clear water, creating a blended solution on the outlet side.

Unlike venturi or electric injectors, the dose of concentrate will be directly proportional to the volume of water entering the Dosatron, regardless of variations in flow or pressure which may occur in the main line.

The adjustable stem allows the operator to dial in the desired setting and fine-tune it as necessary.



IDEAL FOR DISPENSING:

- All NOVAMET®
- All HYCUT®

Oemeta

**Industrial Lubricants
265 Ingersoll Street
Ingersoll, Ontario
N5C 3J7 Canada
519-485-1800**

www.oemeta.com • info@oemeta.ca

Unit Specifications

D14 Series



Model	Dilution Range	Percentage	Flow Range	Pressure Range
D14MZ5VVFII	1:200 to 1:20	0.5% to 5%	0.05 to 14 GPM	4.3 to 85 PSI
D14MZ10VVFII	1:100 to 1:10	1% to 10%	0.05 to 14 GPM	7 to 85 PSI

Housing material: **POLYPROPYLENE** • Dimensions: 19 1/8" X 6 5/16" • Weight: 6 lbs
 • Connections: 3/4" Male NPT • Max Temp: 104 °F

All units include: mounting bracket, suction tube, strainer and weight.
 Please review the basic installation drawing for recommended accessories.
NOTE: Check local plumbing codes regarding back flow prevention.

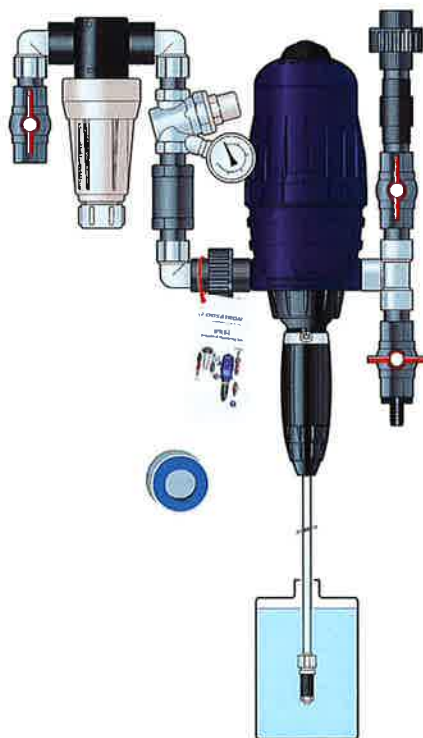
For warranty information refer to your owner's manual or go to:
www.dosatronusa.com

Easy Hook-Up Kit (Item #IPK34-14 GPM)

The kit includes everything you need to quickly install your Dosatron mixer:

- 3/4" schedule 80 PVC ball valve
- 3/4" brass pressure regulator with gauge
- 3/4" poly 200 mesh tee filter
- 3/4" 14 GPM flow restrictor
- 3/4" polypropylene check valve
- 3/4" x 2" schedule 80 PVC nipples (4)
- 3/4" unions

Mounting bracket →



Features

Water-powered, non-electric

Automatically compensates for changes in water flow and pressure

Simple to use and maintain

Precise ratio adjuster

Benefits

Reduced energy costs

Offers consistent repeatable results

Less down time

Controlled chemical costs with exact adjustability



DOSATRON®

2090 Sunnysdale Blvd., Clearwater, FL 33765 USA • 727-443-5404
 Toll Free: 800-523-8499 • Fax: 727-447-0591 • www.dosatronusa.com